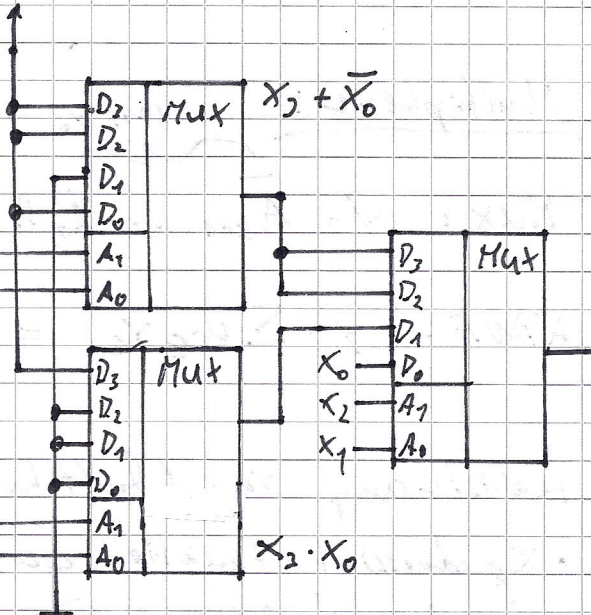


		<u><math>x_2</math></u>		
		<u><math>x_0</math></u>		
$x_3$	0	1	0	1
	0	0	0	1
	0	1	1	1
	0	1	1	1

$x_3$   
 $x_0$



		<u><math>x_0</math></u>	
$x_3$	0	1	1
	0	1	1

$$\hat{=} x_3 \begin{array}{|c|c|} \hline 0 & 1 \\ \hline 0 & 1 \\ \hline \end{array} \quad \overline{x_0}$$

$$y_{0,1,8,9} = x_0$$

		<u><math>x_0</math></u>	
$x_3$	0	0	0
	0	1	1

$$\hat{=} x_3 \begin{array}{|c|c|} \hline 0 & 0 \\ \hline 0 & 1 \\ \hline \end{array} \quad \overline{x_0}$$

$$y_{2,3,10,11} = x_3 \cdot x_0$$

		<u><math>x_0</math></u>	
$x_3$	0	0	1
	0	1	1

$$\hat{=} x_3 \begin{array}{|c|c|} \hline 0 & 1 \\ \hline 0 & 1 \\ \hline \end{array} \quad \overline{x_0}$$

$$y_{4,5,12,13} = x_3 + \overline{x_0}$$

		<u><math>x_0</math></u>	
$x_3$	0	1	0
	0	1	1

$$\hat{=} x_3 \begin{array}{|c|c|} \hline 1 & 0 \\ \hline 1 & 1 \\ \hline \end{array} \quad \overline{x_0}$$

$$y_{6,7,14,15} = x_3 + \overline{x_0}$$